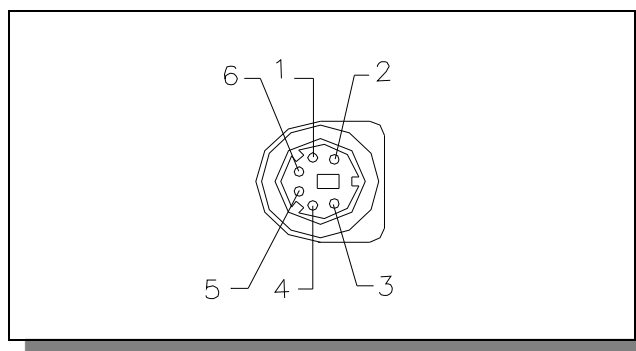


■ Output terminal and definition

Output terminal: Mini-Din (MD6) **female**

Pin definition:



(Mini-Din 6 pin female)

	Signal and description
1	RX_RS232 (RS232 level) white
2	TTL TX green
3	RS232 TX blue
4	TTL RX yellow
5	Ground black
6	Vcc red